

Turbo-E In-line Fan

Features

- Highly efficient range of mixed flow extractor fans.
- 4, 5 & 6" (100, 125 & 150mm) duct diameter sizes.
- Supplied with or without a run-on timer.
- Airflows up to 520 m³/hour - 144 l/second.
- 5 Year Blauberg warranty.



Air Capacity:
up to 361 m³/h
up to 100 l/s.



Specific Fan Power (SFP):
Down to 0.29 w/l/s.

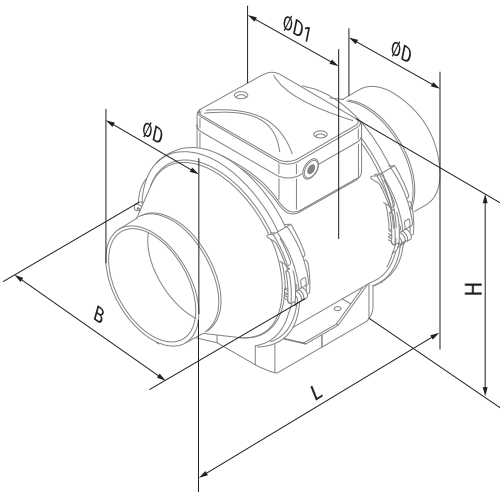


Sound Pressure Level:
From 38 dB(A).



Model Code	Size	Airflow [l/s]	Airflow [m ³ /hr]	Control	Noise [dB(A)]	IP Rating	SFP [w/l/s]
TURBO-E-100	100	52	187	Standard	27	IP34	0.4
TURBO-E-100-T	100	52	187	Timer	27	IP34	0.4
TURBO-E-125	125	78	280	Standard	28	IP34	0.47
TURBO-E-125-T	125	78	280	Timer	28	IP34	0.47
TURBO-E-150	150	144	520	Standard	31	IP34	0.38
TURBO-E-150-T	150	144	520	Timer	31	IP34	0.38

Dimensions



Model Code	Dimensions [mm]				
	ØD	ØD1	B	H	L
TURBO-E-100	97	164	196	241	303
TURBO-E-125	123	164	196	241	258
TURBO-E-150	148	187	220	251	289